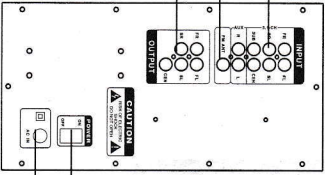


- 22. FRONT+/-: Increase or Reduce the Front Volume
- 23. REAR+/-: Increase or Reduce the Rear Volume
- 24. CENTER+/-: Increase or Reduce the Center Volume
- 25. 1-0: To choose 1-0 Numerical play
- 26. EQ MODE/EO OFF: To choose audio output sound field effect

SUBWOOFER REAR SIDE DESCRIPTION



- A. STEREO/AC3 INPUT
RCA Connectors to take input from external audio source
- B. AC3/5, 1 OUTPUT
Front left, front right, rear left, rear right & center
- C. POWER ON/OFF switch
- D. 220-240V~, 50/60Hz
- E. FM Antenna

UNIT OPERATION

- 1.) First plug the cable of the satellite into the output jack on the rear panel of the woofer, one end of the audio card into the input jack on the rear panel, the other end into the output jack of the computer or any external audio source, the power cord into the power plug socket. Then switch on the unit, the illuminated ring with the blue light in the front panel lights up, the unit starts to play and the default mode is FM mode, if USB or SD/MMC slots have no memory connected.
- 2.) Rotating the VOLUME knob to adjust the volume; rotating the BASS knob to adjust the bass.
- 3.) When inserted a USB or SD/MMC card, it will play from the device last inserted, the illuminated ring with the blue light flashes at the same time;
- 4.) When USB or SD/MMC card is working, press the PLAY/PAUSE button to pause the music, press the PLAY/PAUSE button again to resume music.

- 5.) When USB or SD/MMC card is playing, press the MODE button to cycle through the LINE IN, USB, SD/MMC card, FM mode.
- 6.) When USB or SD/MMC card is working, press the PREV and NEXT button to choose the previous or the next song; Press VOL- and VOL+ button to adjust the volume.
- 7.) When the USB or SD/MMC card is removed, it switches to the FM mode automatically.
- 8.) After stop using the unit, turn off the power switch, unplug the power cord.

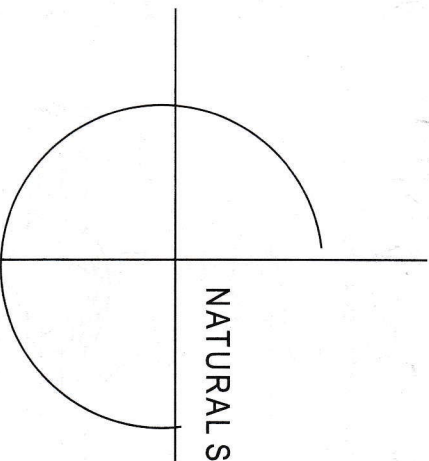
FEATURES

- Analog audio input: input.
- Support USB, SD/MMC card music player in Mp3 file format (supports playback with 320Kbps).
- Full function remote control, LED display
- Stereo FM radio.
- Volume, front, surround, center and bass controller.
- Built in 6 channel power amplifier.
- 2.1 stereo and 5.1 input option
- Compatible with MP3, MP4, PC, DVD, TV etc.

SPECIFICATIONS

- Output Power : 40W + 12Wx5RMS
- Frequency response : 20Hz - 20KHz
- Impedance : Subwoofer 8Ohm, Satellite 4Ohm
- Signal to Noise ratio : ≥ 80dB
- Separation : ≥ 45dB
- Distortion : ≤ 0.3%
- Subwoofer drive : 5.25 inch
- Satellite speaker drive : 3 inch
- Power : AC 220 - 240V 50/60Hz

SUPER BASS 5.1 MULTIMEDIA SPEAKER



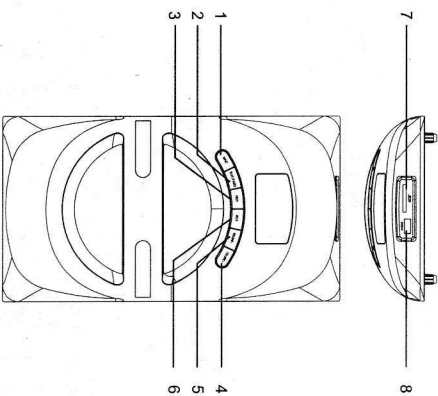
NATURAL SOUND



PACKING LIST

- | | |
|-----------------------|-----------|
| 1. Subwoofer | : 1 unit |
| 2. Satellite Speakers | : 5 units |
| 3. Audio Cables | : 3 units |
| 4. User Manual | : 1 unit |
| 5. Remote Control | : 1 unit |
| 6. FM Antenna | : 1 pc |

DESCRIPTION OF THE SUBWOOFER CONTROL PANEL



1. INPUT
2. Play/pause
3. Previous
4. VOLUME+ adjustment
5. VOLUME- adjustment
6. Next
7. SD/MMC input
8. USB input

AC POWER

IMPORTANT NOTES

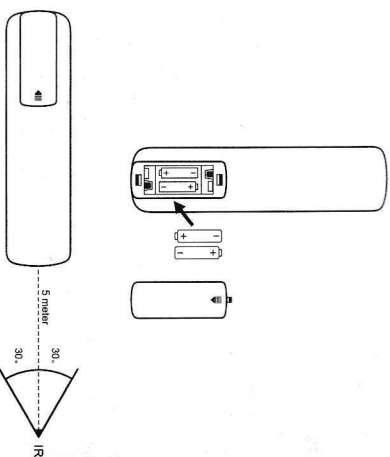
- Make sure the power supply is proper and never handle the power cord or its plug with wet hands when plugging into, or unplugging from power socket.
- Ensure that the main power switch is in the "OFF" position before connecting the AC power cord to the power supply to avoid damage to the unit.
- A damaged power cord can easily cause an electric shock or fire hazard. Never use a power cord after it has been damaged.

BATTERY INSTALLATION

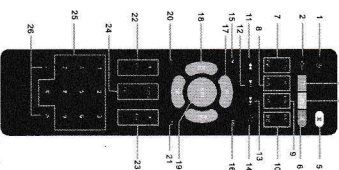
- 1) Open the battery case.
- 2) Insert two batteries without the polarity reversed.
- 3) Close the battery case.
- 4) Keep within 5 meter range, 30 degree angle while aiming at the unit.

Precautionary note:

Remove the battery when the unit is not being used for a long period of time.



DESCRIPTION OF THE REMOTE CONTROL



1. STANDBY: press this button to turn on/off subwoofer
2. USB: USB audio input play
3. SD/MMC/SD/MMC audio input play
4. FM: FM radio input play
5. MUTE: To mute the sound
6. Bluetooth: This button only functions when your speaker system has Bluetooth function
7. CENTER +/-: Increase or Reduce the Center Volume
8. FRONT +/-: Increase or Reduce the Front Volume
9. REAR +/-: Increase or Reduce the Rear Volume
10. BASS +/-: Increase or Reduce the Bass Volume
11. PREV: To select the previous track in USB/Memory card or to select previous channel in radio station.
12. PLAY/PAUSE: To play/pause in USB/Memory card. Long press "PLAY/PAUSE" for 3 seconds to search and save channels automatically in radio station. 20 channels can be saved up at most.
13. NEXT: To select the next track in USB/Memory card or to select next channel in radio station.
14. REPEAT: Repeat an audio track
15. M: Mode Switchover
16. PRO: Logic channel switch
17. VOLUME+/-: Increase or Reduce the Volume
18. BASS +/-: Increase or Reduce the Bass Volume
19. RESET: Recover to default the mode.
20. AUX IN: AUX Input
21. 5.1 CH: 5.1 Input